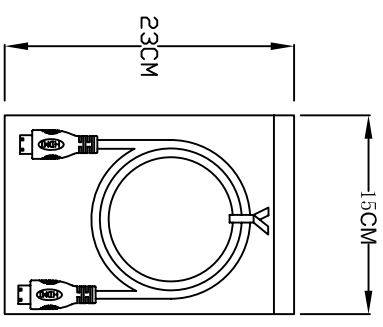
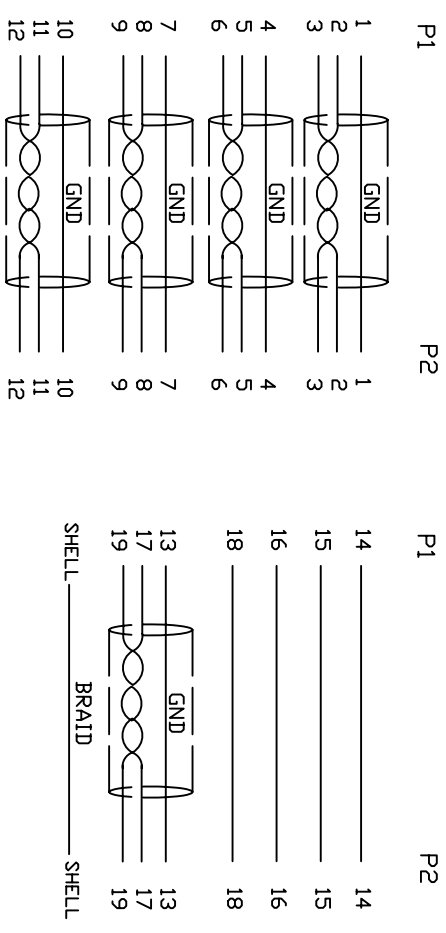


1. Wiring Diagram.



2. Cable test condition :

Open / Short : 100%

Insulation resistance : 5M ohms

Contact resistance : 2 ohm

Hipot : DC 300V / 1 sec

3. Each pcs with PE polybag.

5	COPER	W/20MM*1.35MM	1			A	INITIAL RELEASE	2015/10/10
4	PVC	45P PVC BLACK OVERMOLD	25g			REVISION#	DESCRIPTION	DATE
3	PE	LLDPE 500026 6201 INSIDE MOLDING	16g			Cnc Tech, LLC DWN NO: 742-20010-00150 TITLE: HDMI C/M TO HDMI C/M CABLE		
2	CONN	HDMI C TYPE MALE PIN G/F ,SHELL PLATED NICKEL, INSULATION BLACK	2	P1,P2				
1	CABLE	UL20276 (30AWG (7/0.1TS) *IP+EA+AL/MY) *5+30AWG (7/0.1TS) *C +AEM(16/6/0.12AM) ODS.0 BLACK	1	1500mm		CHECKED	DATE	REV
PART NO.			DESCRIPTION			APPROVAL	CUSTOMER P/N:	CUSTOMER:
BILL OF MATERIAL			QTY			SHEET 1 OF 1		