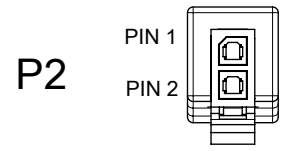
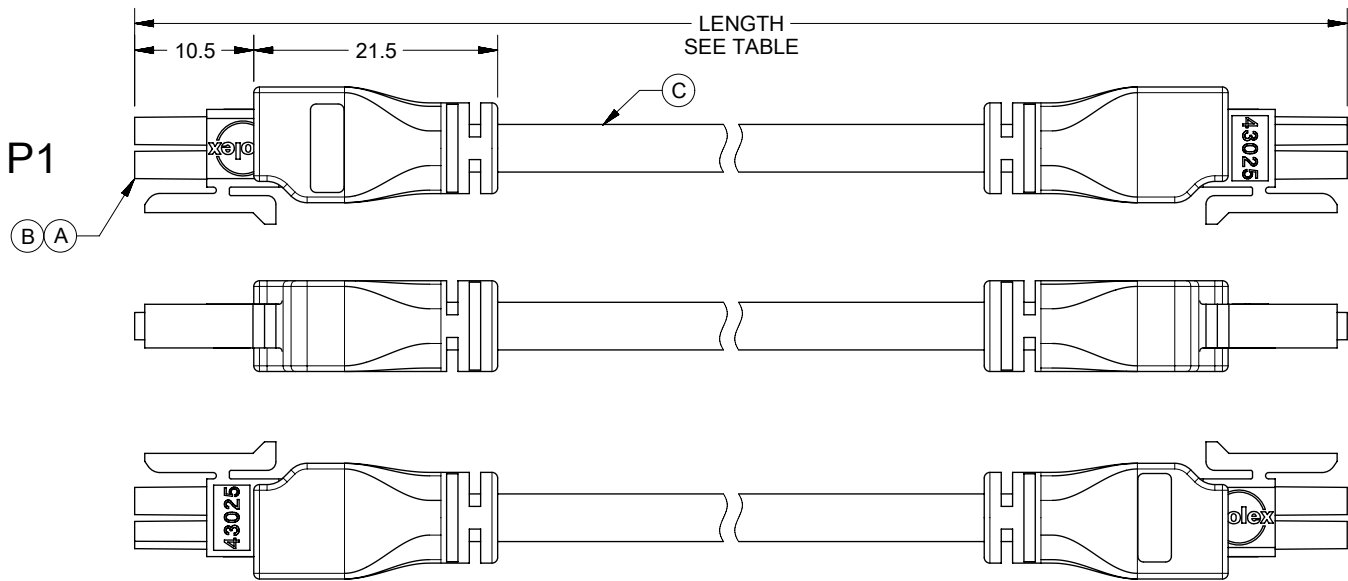
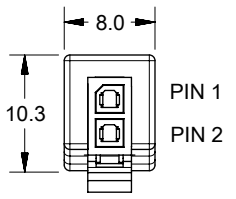


REVISONS				
EC NO	DATE	REV	DESCRIPTION	CHANGER
NA	2016/08/01	A	INITIAL RELEASE	LH LIU



- NOTES:
- MOLDING MATERIAL:
 - INNERMOLD AND STOPPER MOLD: PE RESIN.
 - OVERMOLD: BLACK PVC RESIN.
 - ELECTRICAL PERFORMANCE:
 - CURRENT RATING: 5.5 AMPS.
(EACH APPLICATION SHOULD BE EVALUATED BY THE END USER FOR COMPLIANCE TO SPECIFIC SAFETY AGENCY REQUIREMENTS. THE RATING IS PROVIDED AS REFERENCE. APPROPRIATE DE-RATING IS REQUIRED BASED ON AMBIENT CONDITIONS, COPPER TRACE SIZE ON THE PCB, GROSS HEATING FROM ADJACENT MODULES/COMPONENTS AND OTHER FACTORS THAT INFLUENCE CONNECTOR PERFORMANCE.)
 - VOLTAGE RATING: 300V AC.
 - THIS PRODUCT MUST PASS 100% CONTINUITY TEST PER MOLEX ES-000.
 - DIELECTRIC STRENGTH: 500V DC/0.01 SEC.
 - INSULATION RESISTANCE: 20M OHMS.
 - MECHANICAL PERFORMANCE:
 - OVERMOLD SIDE CAN WITHSTAND 5KGF AXIAL TENSILE FORCE FOR ONE MINUTE WITHOUT PHYSICAL DAMAGE.
 - OVERMOLD SIDE CAN PASS THE BENDING TEST IN 100 CYCLES AT EACH OF 2 PLANES, PER EIA364-41 CONDITION I.
 - MINIMUM DYNAMIC BEND RADIUS: 50MM
 - MINIMUM STATIC BEND RADIUS: 25MM
 - TEMPERATURE:
 - OPERATING TEMPERATURE: -20 TO 80 C DEG. (INCLUDING T-RISE FROM APPLIED CURRENT)
 - ALL MATERIALS MUST MEET RoHS 2011/65/EU.

TABLE

PN	TITLE	LENGTH
2451320250	MICROFIT 2 CIRCUIT BLACK 5M OM	5000±50
2451320230	MICROFIT 2 CIRCUIT BLACK 3M OM	3000±30
2451320220	Microfit 2 Circuit Black 2M Overmolded	2000±20
2451320210	Microfit 2 Circuit Black 1M Overmolded	1000±15
2451320205	Microfit 2 Circuit Black 500MM OM	500±10

WIRING CHART		
P1	WIRE COLOR	P2
PIN 1	BLACK	PIN 1
PIN 2	RED	PIN 2

ITEM	DESCRIPTION	L(MM)	Q'TY
C	2C*20AWG;UNSH;PVC;BK;OD=5.20MM;UL2464	SEE TABLE	
B	MicroFit 3.0 DR Rcpt 2Ckt		2
A	MicroFit 3.0 F Crp Term Chn Tin 20-24		4

THIS DRAWING CONTAINS INFORMATION THAT IS PROPRIETARY TO MOLEX ELECTRONIC TECHNOLOGIES, LLC AND SHOULD NOT BE USED WITHOUT WRITTEN PERMISSION

QUALITY SYMBOLS ▽ = 0 ▽ = 0 ▽ = 0 ▽ = 0 ▽ = 0 ▽ = 0 ▽ = 0 ▽ = 0 ▽ = 0	EC NO: 107522 DRWN: XJGU001 CHK'D: LH LIU APPR: FNIE	2016/07/28 2016/08/14 2016/08/15	GENERAL TOLERANCES (UNLESS SPECIFIED) ANGULAR TOL ± 2.0 ° 4 PLACES ± 3 PLACES ± 2 PLACES ± 0.25 1 PLACE ± 0.5 0 PLACES ± DRAFT WHERE APPLICABLE MUST REMAIN WITHIN DIMENSIONS	DIMENSION UNITS	SCALE	
				MM	1.5:1	
				DRWN BY	DATE	
				XJGU001	2016/06/23	
CHK'D BY	DATE	PRODUCT CUSTOMER DRAWING				
LH LIU	2016/07/27					
APPR BY	DATE	SERIES	MATERIAL NUMBER	CUSTOMER		
		201440	SEE TABLE	GENERAL MARKET		
DRAWING SIZE	THIRD ANGLE PROJECTION	DOCUMENT NUMBER	DOC TYPE	DOC PART	SHEET NUMBER	
A4		2014400085	PSD	000	1 OF 2	