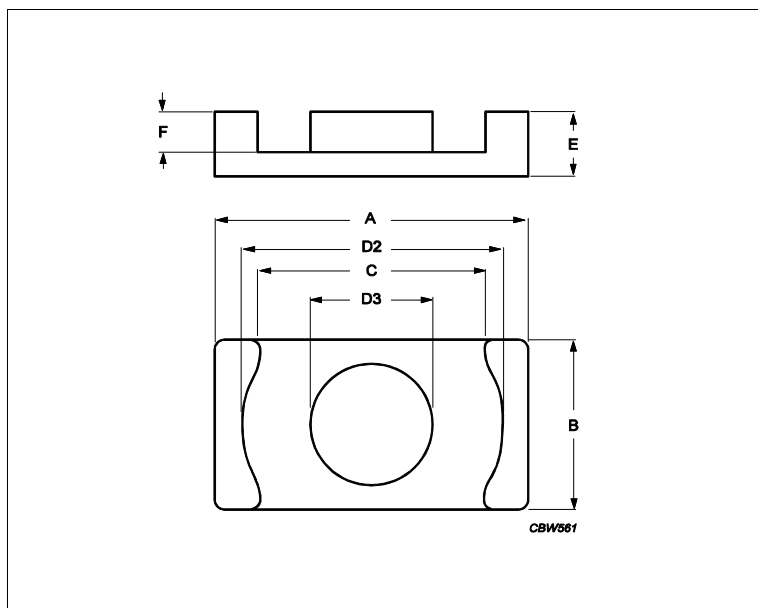
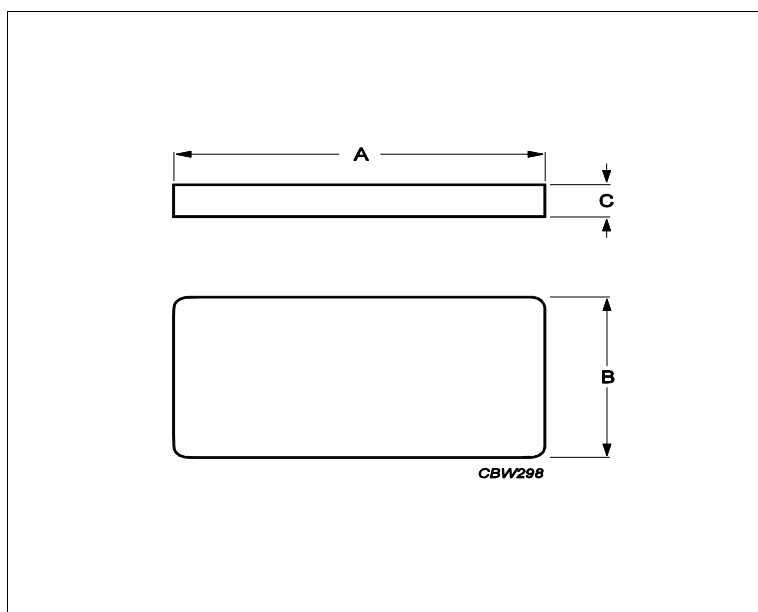


Core **EQ30 + PLT30/20/3**



Effective parameters			
	Parameter	Value	Unit
$\Sigma(I/A)$	core factor (C1)	0.335	mm ⁻¹
Ve	effective volume	3910	mm ³
Le	effective length	36.2	mm
Ae	effective area	108	mm ²
Amin	minimum area	95	mm ²
m	EQ30	≈ 13.2	g/pcs
m	PLT30/20/3	≈ 7.6	g/pcs



Dimensions for product: EQ30						
	Nom	Tol +	Tol -	Max	Min	Unit
A	30.00	0.40	0.40	30.40	29.60	mm
B	20.00	0.30	0.30	20.30	19.70	mm
C	19.45	0.40	0.40	19.85	19.05	mm
D2	26.00	0.40	0.40	26.40	25.60	mm
D3	11.00	0.20	0.20	11.20	10.80	mm
E	8.00	0.15	0.15	8.15	7.85	mm
F	5.30	0.20	0.20	5.50	5.10	mm
Dimensions for product: PLT30/20/3						
	Nom	Tol +	Tol -	Max	Min	Unit
A	30.00	0.40	0.40	30.40	29.60	mm

Core **EQ30 + PLT30/20/3**

Dimensions for product: PLT30/20/3						
	Nom	Tol +	Tol -	Max	Min	Unit
B	20.00	0.30	0.30	20.30	19.70	mm
C	2.70	0.10	0.10	2.80	2.60	mm

Inductance factor					
Material	Value	Tol +	Tol -	Unit	
3C95	6630	25%	25%	nH/turns ²	
3C96	4900	25%	25%	nH/turns ²	
3F36	4000	25%	25%	nH/turns ²	
3F4	2400	25%	25%	nH/turns ²	
3F46	2500	25%	25%	nH/turns ²	

Power loss: 3C95				
Measuring conditions			Max	Unit
100 kHz	200 mT	100 °C	1.900	W/set
100 kHz	200 mT	25 °C	2.000	W/set

Power loss: 3C96				
Measuring conditions			Max	Unit
100 kHz	200 mT	100 °C	1.800	W/set
400 kHz	50 mT	100 °C	0.700	W/set

Power loss: 3F36				
Measuring conditions			Max	Unit
500 kHz	50 mT	100 °C	0.590	W/set
500 kHz	100 mT	100 °C	4.500	W/set

Power loss: 3F4				
Measuring conditions			Max	Unit
1000 kHz	30 mT	100 °C	1.200	W/set
3000 kHz	10 mT	100 °C	2.000	W/set

Power loss: 3F46				
Measuring conditions			Max	Unit
1000 kHz	50 mT	100 °C	1.600	W/set
3000 kHz	10 mT	100 °C	0.760	W/set

Bsat					
Measuring conditions			Material	Min	Unit
25 kHz	250 A/m	100 °C	3C95	330	mT
25 kHz	250 A/m	100 °C	3C96	340	mT
25 kHz	250 A/m	100 °C	3F36	340	mT
25 kHz	250 A/m	100 °C	3F4	330	mT
25 kHz	250 A/m	100 °C	3F46	330	mT

Accessories		
Ordering name	Description	Ordering code

Product specifications



Core **EQ30 + PLT30/20/3**

CSV-EQ30/16/20-1S-10P-Z	Coil former, termoset, vertical	432202107031
-------------------------	---------------------------------	--------------